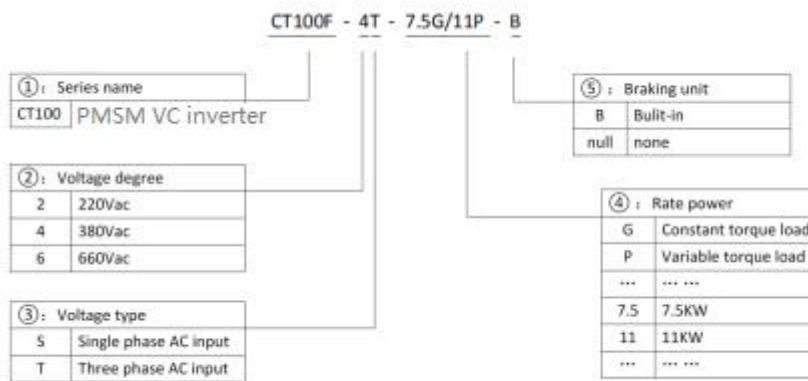


CT100F PMSM Vector control inverter

It supports V/F or sensorless vector control, professional for PMSM driving. It adopts original magnetic pole detection technology to realize soft-start, no reverse, or joggle, meet high requirement application. It also supports dynamic or static parameter study to control motor with high accuracy and improve motor control performance, meet high accuracy requirements. It has rich functions, such as simple PLC, multi-speed control, build in PID, torque control, multi point V/F curve, multi braking modes, no stop even sudden power off....



Model explain



Tech table

Input and output parameters	Input voltage	Single-phase 220VAC±15%, three-phase 380VAC±15%, three-phase 660VAC±15%,.
	Input frequency	50~60Hz±5%
	Output voltage	0~Rated input voltage
	Output frequency	0~500Hz
	Overload capacity	150% of rated current: 60s; 180% of rated current: 10s; 200% of rated current: 1s

Technical control parameters	Control mode	V/F control, sensorless vector control for PMSM, vector control for PMSM with sensor
	Speed ratio	1:100(V/F control) 1:200(SVC)
	Speed control accuracy	±0.5%
	Speed wave	±0.5%
	Start torque	0.5Hz/150%(V/F) 0.25Hz/150% (SVC)
Based functions	Starting frequency	0.00~10.00Hz
	ACC and DEC time	0.1~65000.0s
	Carrier frequency	0.5KHz~16.0KHz
	Frequency setting	UP/DOWsetting, Analog setting, digital setting, multi-step speed setting, PID setting, MODBUS communication setting
	Start mode	Start frequency, DC braking and start, speed track and start
	Stop mode	DEC stop, free stop, DEC +DC braking
	Energy braking capability	Braking unit braking voltage:320~750V
	DC braking capability	DC braking frequency: 0~500Hz; DC braking waiting time: 0~10s; DC braking current: 0.0~100.0%; DC braking time: 0.0~100.0s;
Auto voltage adjustment	Keep a stable voltage automatically when the grid voltage transients	
Sudden frequency down	Keep stable bus voltage while power net low-voltage	
Control terminals	Digital input	Standard 8-channel inputs, one of which can be high-speed pulse input (HDI)
	Analog input	Standard 2-channel inputs, AI1:0~10V or 0/4~20mA input or AI2:0~+10V
	Digital output	Standard 2-channel multi-function collector outputs, one of which can be high-speed pulse output (HDO).

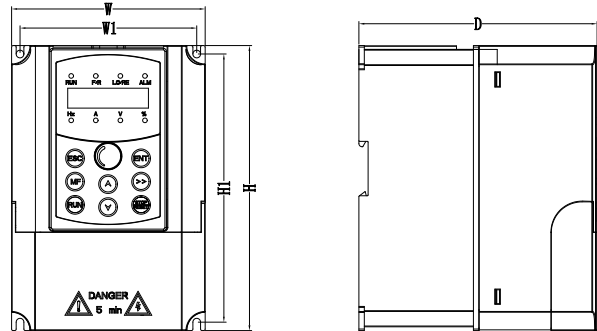
	Analog Output	Standard 2-channel outputs, AO1, AO2 (0~10V or 0/4~20mA)
	Relay output	Standard 2-channel relay outputs
Communication interface	Communication	communication interface for external communication. Support Modbus (RTU)
Fault protection	ACC overcurrent, DEC overcurrent, constant speed overcurrent, ACC overvoltage, DEC overvoltage, constant speed overvoltage, bus under voltage, motor overload, inverter overload, input power failure, output phase loss, rectifier module overheating, inverter module overheating, external fault, communication fault, current detection fault, EEPROM operation fault, PID feedback fault, factory setting time arrive etc.	
Keypad display	LED display	Highlight LED digital tube displays the inverter information
Others	Running environment	Indoors, less than 1km above sea level, without dust, corrosive gases or direct sunlight
	Ambient temperature	-10 ~ +40℃, derate 1% for every additional 1℃ when the ambient temperature is between 40~50℃
	Humidity	5~95% (no condensation)
	Altitude	0~2000m, derate 1% for every additional 100m when the sea level is above 1000m
	Vibration	Less than 0.5g
	Storage temperature	-40~+70℃

Inverter Model	Power (KW)	Input Current (A)	Output Current (A)	Motor Power (KW)
Single phase 220V 50/60Hz				
CT100F-2S-0.7G-B	0.75	8.2	4.5	0.75
CT100F-2S-1.5G-B	1.5	14.0	7.0	1.5
CT100F-2S-2.2G-B	2.2	23.0	9.6	2.2
Three phase 380V 50/60Hz				
CT100F-4T-0.7G-B	0.75	3.4	2.5	0.75

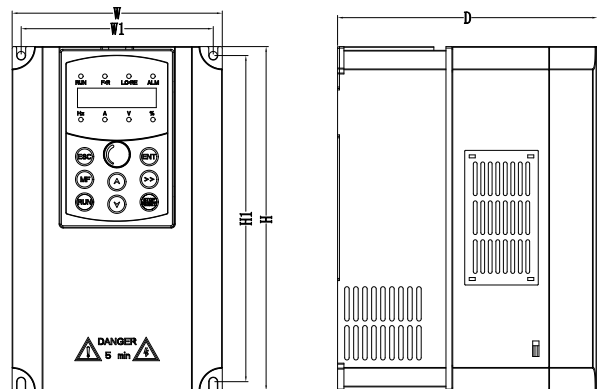
CT100F-4T-1.5G-B	1.5	5.0	3.7	1.5
CT100F-4T-2.2G-B	2.2	5.8	5.3	2.2
CT100F-4T-4.0G/5.5P-B	4.0	12.0	9.5	4.0
	5.5	18.5	14	5.5
CT100F-4T-5.5G/7.5P-B	5.5	18.5	14	5.5
	7.5	22.5	18.5	7.5
CT100F-4T-7.5G/11P-B	7.5	22.5	18.5	7.5
	11	30.0	25.0	11
CT100F-4T-11G/15P-B	11	30.0	25.0	11
	15	39.0	32.0	15
CT100F-4T-15G/18.5P-B	15	39.0	32.0	15
	18.5	45.0	38.0	18.5
CT100F-4T-18.5G/22P-B	18.5	45.0	38.0	18.5
	22	54.0	45.0	22
CT100F-4T-22G/30P-B	22	54.0	45.0	22
	30	68.0	60.0	30
CT100F-4T-30G/37P	30	68.0	60.0	30
	37	84.0	75.0	37
CT100F-4T-37G/45P	37	84.0	75.0	37
	45	98.0	92.0	45
CT100F-4T-45G/55P	45	98.0	92.0	45
	55	123.0	115.0	55
CT100F-4T-55G/75P	55	123.0	115.0	55
	75	157.0	150.0	75
CT100F-4T-75G/90P	75	157.0	150.0	75
	90	188.0	180.0	90
CT100F-4T-90G/110P	90	188.0	180.0	90
	110	221.0	215.0	110
CT100F-4T-110G/132P	110	221.0	215.0	110
	132	267.0	260.0	132
CT100F-4T-132G/160P	132	267.0	260.0	132
	160	309.0	305.0	160
CT100F-4T-160G/185P	160	309.0	305.0	160
	185	344.0	340.0	185
CT100F-4T-185G/200P	185	344.0	340.0	185
	200	384.0	380.0	200
CT100F-4T-200G/220P	200	384.0	380.0	200
	220	429.0	425.0	220
CT100F-4T-220G/250P	220	429.0	425.0	220
	250	484.0	480.0	250
CT100F-4T-250G/280P	250	484.0	480.0	250
	280	539.0	530.0	280
CT100F-4T-280G/315P	280	539.0	530.0	280
	315	612.0	600.0	315
CT100F-4T-315G/355P	315	612.0	600.0	315
	355	665.0	650.0	355
CT100F-4T-355G	355	665.0	650.0	355
CT100F-4T-400G	400	715	720	400
CT100F-4T-500G	500	890	860	500
CT100F-4T-630G	630	1224	1200	630
CT100F-4T-710G	700	1330	1300	700
CT100F-4T-800G	800	1460	1440	800
CT100F-4T-1000G	1000	1760	1720	1000
Three phase 690V 50/60Hz				
CT100F-6T-22	22	38	28	22
CT100F-6T-30	30	40	35	30

CT100F-6T-37	37	47	45	37
CT100F-6T-45	45	55	52	45
CT100F-6T-55	55	65	63	55
CT100F-6T-75	75	85	86	75
CT100F-6T-90	90	95	98	90
CT100F-6T-110	110	118	121	110
CT100F-6T-132	132	145	150	132
CT100F-6T-160	160	165	175	160
CT100F-6T-185	185	198	198	185
CT100F-6T-200	200	210	218	200
CT100F-6T-220	220	228	240	220
CT100F-6T-250	250	255	270	250
CT100F-6T-280	280	290	320	280
CT100F-6T-315	315	334	350	315
CT100F-6T-355	355	362	380	355
CT100F-6T-400	400	411	430	400
CT100F-6T-500	500	518	540	500
CT100F-6T-560	560	578	600	560
CT100F-6T-630	630	655	680	630
CT100F-6T-710	710	724	760	710
CT100F-6T-800	800	822	860	800
CT100F-6T-1000	1000	1036	1080	1000
CT100F-6T-1250	1250	1310	1360	1250

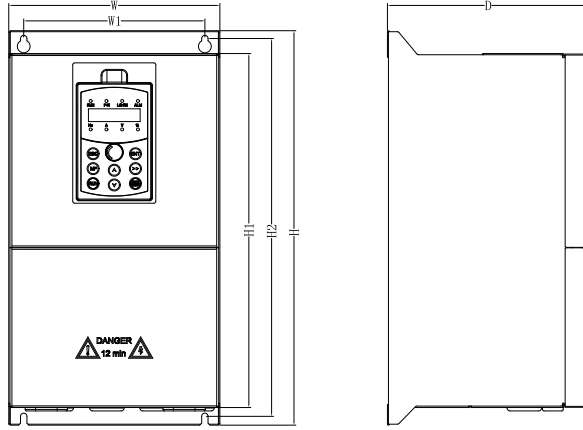
Size and weight



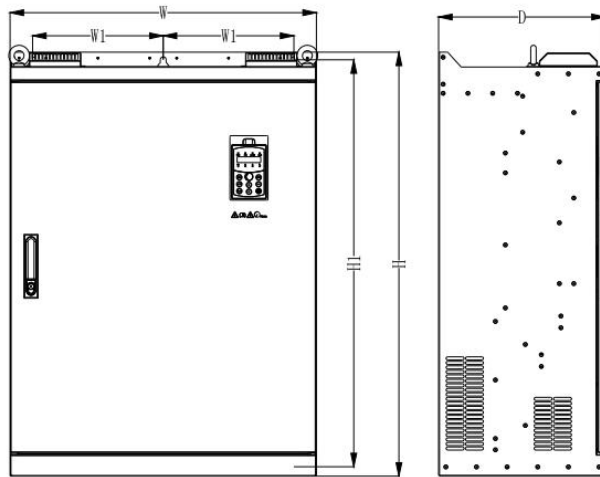
a) C0 model



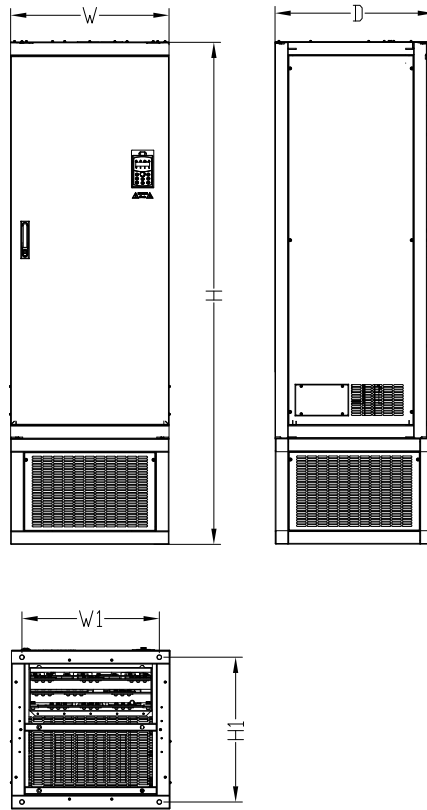
b) C1,C2 models



c) C3~C6 models



d) C7, C8 models



e) C9, C10 models

Inverter model	Structure and mounting dimension (mm)						Mounting hole size (mm)	Weight (kg)	Cabinet
	W	H	D	W1	H1	H2			
CT100F-2S-0.7G-B	126	186	155	115	175	---	5	1.6	C0
CT100F-2S-1.5G-B									
CT100F-2S-2.2G-B									
CT100F-4T-0.7G-B									
CT100F-4T-1.5G-B									
CT100F-4T-2.2G-B	140	230	172	128	218	---	5.5	3.5	C1
CT100F-4T-4.0G/5.5P-B									
CT100F-4T-5.5G/7.5P-B	165	285	200	153	273	---	5.5	5.2	C2
CT100F-4T-7.5G/11P-B									
CT100F-4T-11G/15P-B									
CT100F-4T-15G/18.5P-B	214	402	205	184	360	385	7	11.5	C3
CT100F-4T-18.5G/22P-B									
CT100F-4T-22G/30P-B	250	442	230	220	405	425	7	19	C4
CT100F-4T-30G/37P									
CT100F-4T-37G/45P	299	602	276	240	540	580	9	30	C5
CT100F-4T-45G/55P									
CT100F-4T-55G/75P									
CT100F-4T-75G/90P	329	660	332	250	601	640	9	56	C6

Inverter model	Structure and mounting dimension (mm)						Mounting hole size (mm)	Weight (kg)	Cabinet
	W	H	D	W1	H1	H2			
CT100F-4T-90G/110P									
CT100F-4T-110G/132P									
CT100F-4T-132G/160P	480	853	354	180	772	826	11	110	C7
CT100F-4T-160G/185P									
CT100F-4T-185G/200P									
CT100F-4T-200G/220P									
CT100F-4T-220G/250P	680	940	355	240	850	900	13	165	C8
CT100F-4T-250G/280P									
CT100F-4T-280G/315P									
CT100F-4T-315G/355P									
CT100F-4T-355G	600	1900	600	520	548	---	14	355	C9
CT100F-4T-400G									
CT100F-4T-500G									
CT100F-4T-630G	800	1800	800	720	734	---	18	380	C10
CT100F-4T-710G	600 *2	1900 *2	600	520	548 *2	---	14	420*2	C9*2
CT100F-4T-800G									
CT100F-4T-1000G									
CT100F-6T-22	300	600	280	240	540	580	9	30	C5
CT100F-6T-30									
CT100F-6T-37									
CT100F-6T-45									
CT100F-6T-55	330	660	330	250	600	640	9	56	C6
CT100F-6T-75									
CT100F-6T-90									
CT100F-6T-110									
CT100F-6T-132									
CT100F-6T-160	485	850	355	180	772	826	11	110	C7
CT100F-6T-185									
CT100F-6T-200									
CT100F-6T-220									
CT100F-6T-250	680	940	355	240	850	900	13	165	C8
CT100F-6T-280									
CT100F-6T-315									
CT100F-6T-355									
CT100F-6T-400	600	1900	600	520	548	---	14	355	C9
CT100F-6T-500									
CT100F-6T-560									
CT100F-6T-630									
CT100F-6T-710	800	1800	800	720	734	---	18	380	C10

Inverter model	Structure and mounting dimension (mm)						Mounting hole size (mm)	Weight (kg)	Cabinet
	W	H	D	W1	H1	H2			
CT100F-6T-800									
CT100F-6T-1000	600	1900	600	520	548	---	14	420*2	C9*2
CT100F-6T-1250	*2	*2							